

Choosing the right size

Simple system for choosing a rough size

Ocún shoes are manufactured using a last sized on a metric scale according to the foot length in millimeters (so called Mondo Point). Mondo Point is a size scale that lets you easily determine a suitable shoe size by measuring the length of the sole.

Factors to consider when choosing the exact size

In order to choose the exact size, you need to consider several factors:

1. Everybody's foot is unique in terms of shape, volume, width and shape of toes.

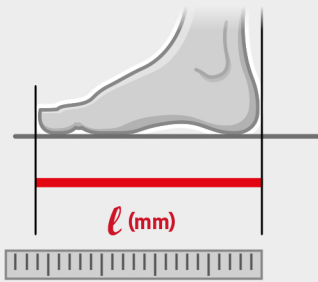
2. The shoes differ according to the shape of the last, construction of the upper and closures, which affect the fit and feel of the shoe.

3. The size also depends on the difficulty of climbing routes the climber intends to use the shoes for.

Always try on and test the shoe in order to choose the right size.


ADULTS

1. Measure foot-length



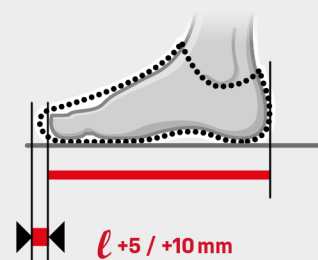
2. Choose how tight it should be according to performance

Performance Fit



$l \pm 5 \text{ mm}$

Comfort Fit



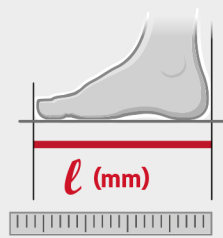
$l + 5 / + 10 \text{ mm}$

3. Look up your size in adult conversion chart

mm	210	215	220	225	230	235	240	245	250	255	260	265	270	275	280	285	290	295	300	305	310	315	320	325
US men	3	3,5	4	4,5	5	5,5	6	6,5	7	7,5	8	8,5	9	9,5	10	10,5	11	11,5	12	12,5	13	14	15	16
US women	4	4,5	5	5,5	6	6,5	7	7,5	8	8,5	9	9,5	10	10,5	11	11,5	12	12,5	13					
UK	2	2,5	3	3,5	4	4,5	5	5,5	6	6,5	7	7,5	8	8,5	9	9,5	10	10,5	11	11,5	12	13	14	15
EUR	33	34	35	36	37	37,5	38	38,5	39	40	41	41,5	42	42,5	43	44	45	45,5	46	46,5	47	48	49	50

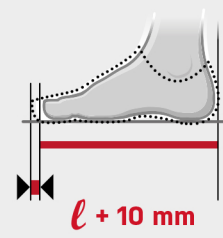
KIDS SIZES

1. Measure foot-length




2. Adjust the measured length according to performance

Performance Fit



$l + 10 \text{ mm}$

Comfort Fit



$l + 16 \text{ mm}$

Ocún climbing shoes for kids are sized using a French sizing scale corresponding to foot length in millimeters. To size the child's shoes correctly, measure the length of their foot and add between 10 and 16 millimetres depending on if a performance or comfort fit is required. Then look up the right size in the conversion chart.

Always try on and test the shoe in order to choose the right size.

3. Look up size in children's conversion chart

mm	159	165	171	177	183	189	195	201	207
EUR	27	28	29	30	31	32	33	34	35
US	9	10	11	12	13	1	2	3	4